

SPECIFICATION

PRODUCT NAME: DIELECTRIC ANTENNA ELEMENT

PART NUMBER: DAE1575R2540A

Approved by	Checked by	Drawn by



SINOCERAMICS,INC.

Add : 4F Guangfei Building, 929 Guilin Rd. Shanghai 201103, China

Tel: 0086-021-64384700

Fax: 0086-021-64699948

www.sinocera.net

E-mail: info@sinocera.net

Sinoceramics, Inc.

Approval Sheet	
Customer	
Supplier P/N	DAE1575R2540A
Customer P/N	

Customer's Approval Certificate	
Checked & Approval By	
Date	

Remark:

Signature:

Date:

Please return this copy as a certification of your approval.

1.0 SCOPE

This specification shall cover the characteristics of the dielectric antenna element with the type DAE1575R2540A.

2.0 PART NO. OF DIELECTRIC ANTENNA ELEMENT

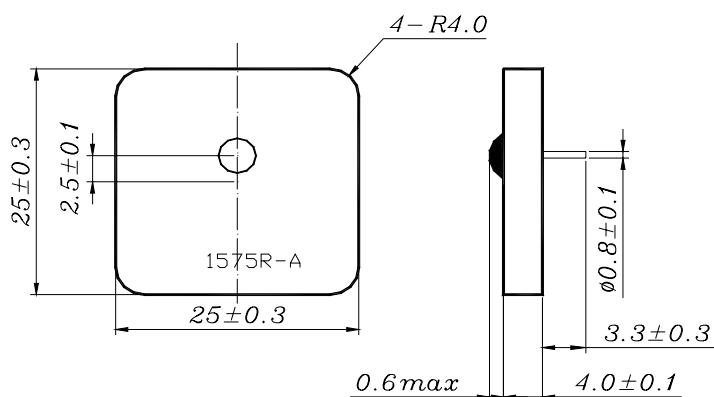
PART NUMBER	CUSTOMER PART NO.	SPECIFICATION NO.
DAE1575R2540A		

3.0 OUTLINE DRAWING AND DIMENSIONS

3.1 Appearance: No visible damage and dirt.

3.2 Except the pin, the materials don't contain lead.

3.3 Dimensions



4.0 ELECTRICAL SPECIFICATIONS

4.1 Performance Characteristics

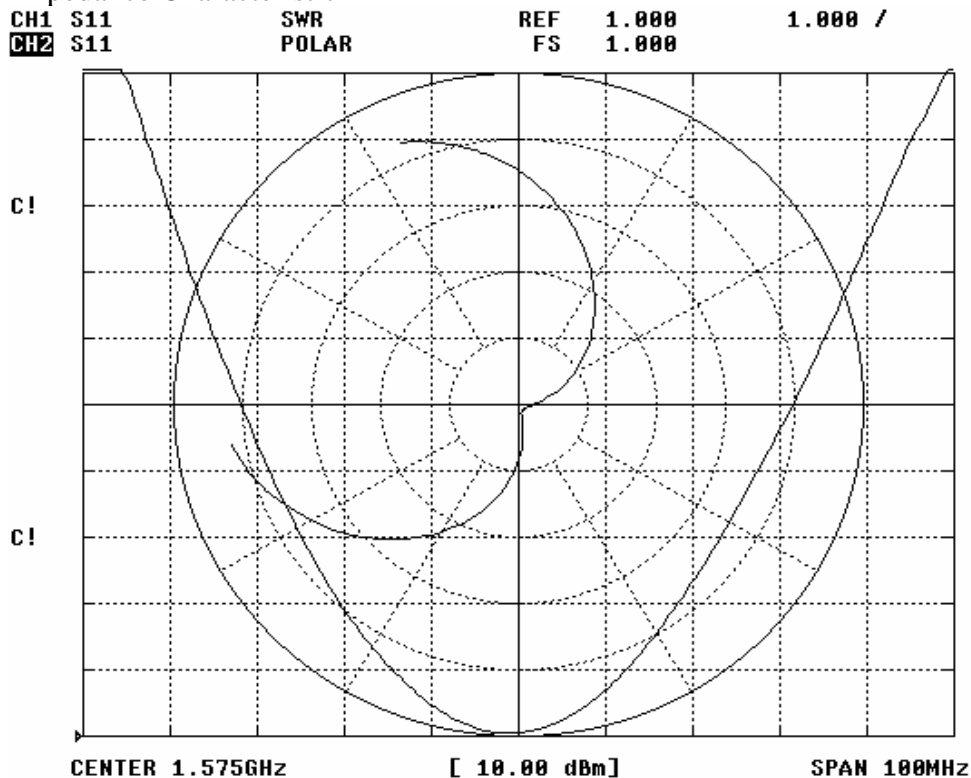
Items	Content
Nominal frequency MHz	1575.42 ± 1.023
*Center frequency MHz (with adhesive tape on square ground Plane)	$CF \pm 3.0$
-10dB Bandwidth MHz min	15.0
Return Loss at Center Frequency dB max	-15.0
Gain (Zenith 90°) dBi type	2.0
Polarization Model	RHCP
Impedance	50
Axial Ratio dB max	3.0
Frequency Temperature Coefficient	20ppm/deg. max

* Center frequency : -10dB bandwidth center frequency.

Sinoceramics, Inc. 4F Guangfei Building, 929 Guilin Rd., Shanghai 201103, China

Tel:0086-021-64384700 Fax:0086-021-64699948 <http://www.sinocera.net> E-mail:info@sinocera.net

4.2 Impedance Characteristic

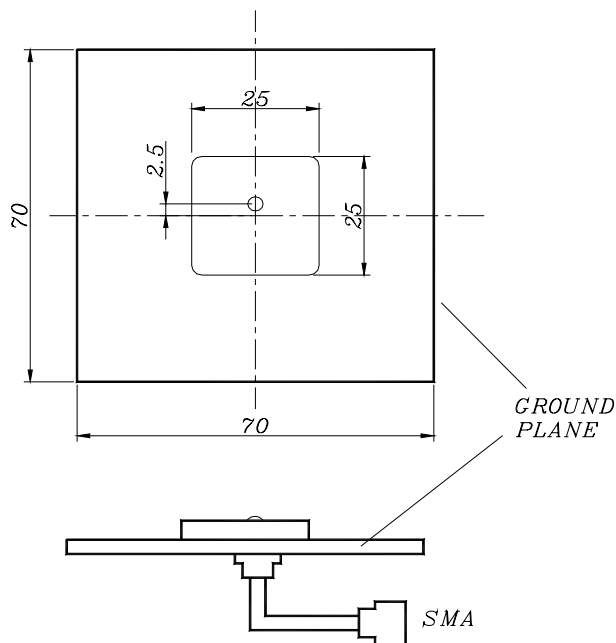


5.0 TEST

5.1 Test Conditions

Parts shall be measured under a condition (Temp.:20 ±15 , Humidity : 65%±20% R.H.).

5.2 Test Jig



6.0 ENVIRONMENTAL TEST

No.	Item	Test Condition	Remark
6.1	Humidity Test	The device is subjected to 90%~95% relative humidity 60 ± 3 for 96h~98h, then dry out at 25 ± 5 and less than 65% relative humidity for 2h~4h. After dry out the device shall satisfy the specification in table 1.	It shall fulfill the specifications in Table 1.
6.2	High Temperature Exposure	The device shall satisfy the specification in table 1 after leaving at 105 for 96h~98h, provided it would be measured after 2h~4h leaving in 25 ± 5 and less than 65% relative humidity.	It shall fulfill the specifications in Table 1.
6.3	Low Temperature	The device shall satisfy the specification in table 1 after leaving at -40 for 96h~98h, provided it would be measured after 2h~4h leaving in 25 ± 5 and less than 65% relative humidity.	It shall fulfill the specifications in Table 1.
6.4	Temperature Cycle	Subject the device to -40 for 30 min. followed by a high temperature of 105 for 30 min cycling shall be repeated 5 times. At the room temperature for 1h prior to the measurement.	It shall fulfill the specifications in Table 1.
6.5	Vibration	Subject the device to vibration for 2h each in x、 y and z axis with the amplitude of 1.5mm, the frequency shall be varied uniformly between the limits of 10Hz~55Hz.	It shall fulfill the specifications in Table 1.
6.6	Soldering Test	Lead terminals are heated up to 350 ± 10 for $5s \pm 0.5s$ with brand iron and then element shall be measured after being placed in natural conditions for 1 h. No visible damage and it shall fulfill the specifications in Table 1	It shall fulfill the specifications in Table 1.
6.7	Solder ability	Lead terminals are immersed in soldering bath of $260 \sim 290$ for $3s \pm 0.5s$. More than 95% of the terminal surface of the device shall be covered with fresh solder.	The terminals shall be at least 95% covered by solder.
6.8	Terminal Pressure Strength	Force of 2kg is applied to each lead in axial direction for $10s \pm 1s$ (see drawing). No visible damage and it shall fulfill the specifications in Fig 1	Mechanical damage such as breaks shall not occur.

FIG 1

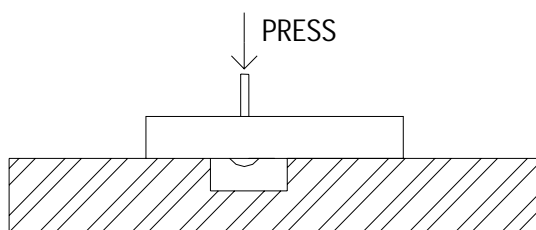


TABLE 1

Item	Specification After Test (MHz)
Center Frequency Change	± 2.0
-10dB Bandwidth Change	± 2.0

7.0 EIAJ MONTHLY CODE

2003 / 2005 / 2007 / 2009		2004 / 2006 / 2008 / 2010	
Month	Code	Month	Code
Jan.	A	Jan.	N
Feb.	B	Feb.	P
Mar.	C	Mar.	Q
Apr.	D	Apr.	R
May.	E	May.	S
Jun.	F	Jun.	T
Jul.	G	Jul.	U
Aug.	H	Aug.	V
Sep.	J	Sep.	W
Oct.	K	Oct.	X
Nov.	L	Nov.	Y
Dec.	M	Dec.	Z

8.0 OTHER

8.1 Caution of use

8.1.1 Please don't apply excess mechanical stress to the component and terminals at soldering.

8.1.2 The component may be damaged when an excess stress will be applied.

8.1.3 This specification mentions the quality of the component as a single unit. Please insure the component is thoroughly evaluated in your application circuit.

8.2 Notice

8.2.1 Please return one of this specification after your signature of acceptance.

8.2.2 When something gets doubtful with this specification, we shall jointly work to get an agreement.